

Since 1898
CONSEW®

CONSOLIDATED SEWING MACHINE CORP.

— INDUSTRIAL SEWING & CUTTING EQUIPMENT

PARTS LIST & INSTRUCTION

347R-1A-1

Since 1898
CONSEW®

CONSOLIDATED SEWING MACHINE CORP.

— INDUSTRIAL SEWING & CUTTING EQUIPMENT

400 VETERANS BLVD, CARLSTADT, NJ 07072

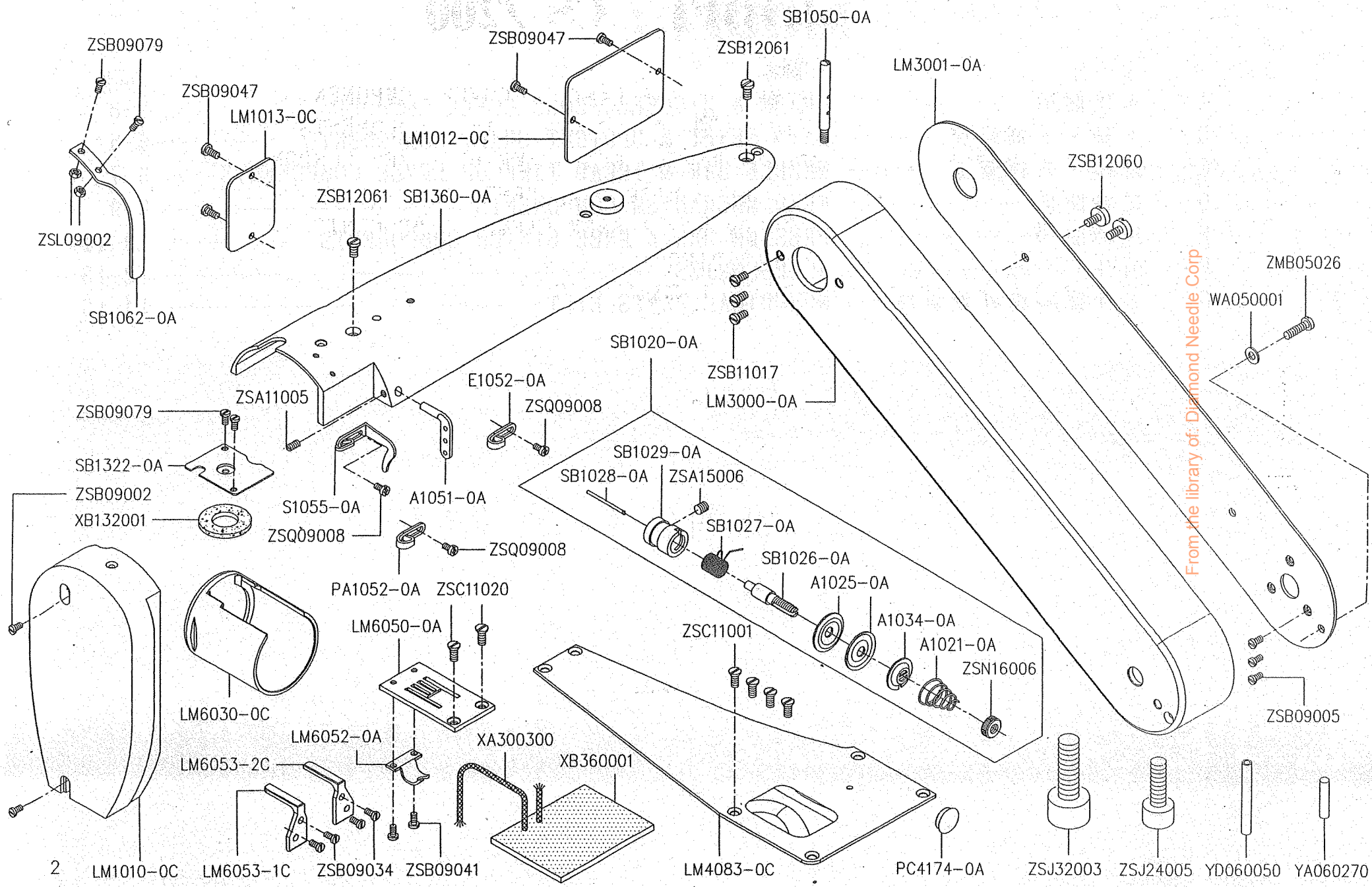
From the library of: Diamond Needle Corp

MODEL :

索引	INDEX	PAGE
A、 本體關係 -----	FRAME & MISCELLANEOUS COVER COMPONENTS -----	2-3
B、 上軸、下軸關係 -----	MAIN SHAFT & UPRIGHT SHAFT COMPONENTS -----	4-5
C、 針棒、天秤關係 -----	NEEDLE BAR & TREAD TAKE-UP LEVER COMPONENTS ---	6-7
D、 送料關係-----	FEED MECHANISM COMPONENTS -----	8-9
E、 押腳關係-----	PRESSER BAR & KNEE LIFTER COMPONENTS -----	10-11
F、 附件 -----	ACCESSORIES -----	12-13
G、 零件號碼與頁數對照 --	NUMERICAL PARTS-LIST -----	14-15

A.

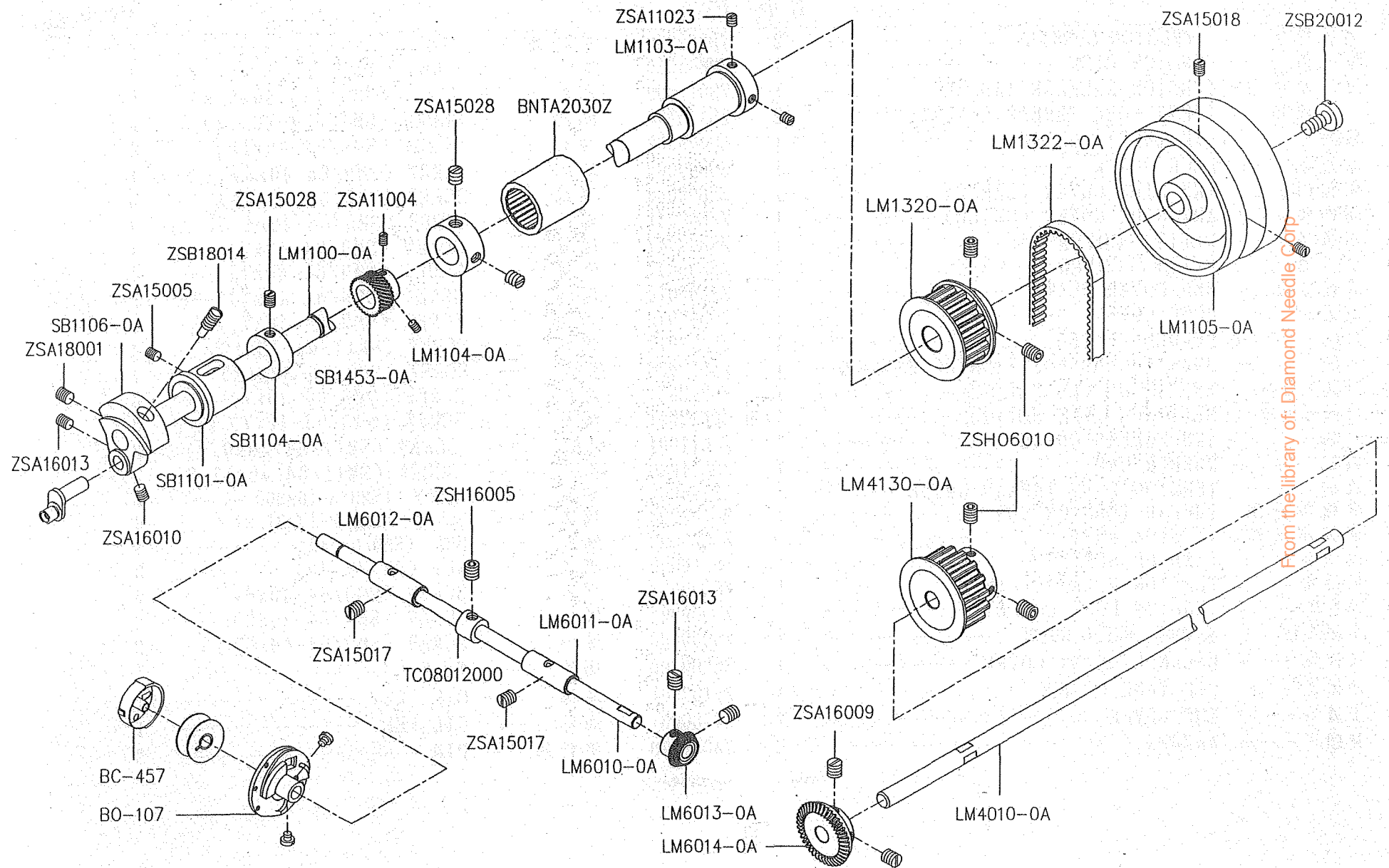
本體關係 FRAME & MISCELLANEOUS COVER COMPONENTS



A、 本體關係 FRAME & MISCELLANEOUS COVER COMPONENTS

零件號碼 Part No	零件名稱 Name of Part	件數 Q, TY	零件號碼 Part No	零件名稱 Name of Part	件數 Q, TY	備 Rema
A1021-0A	調整彈簧	2	YD060050	平行銷	2	
A1025-0A	壓線盤	1	ZMB05026	螺絲	1	
A1034-0A	線調整壓盤	1	ZSA11005	螺絲	1	
A1051-0A	三孔線掛	2	ZSA15006	螺絲	1	
E1052-0A	線掛	1	ZSB09002	螺絲	2	
LM1010-0C	面板蓋	1	ZSB09005	螺絲	1	
LM1012-0C	側板(B)	1	ZSB09034	螺絲	2	
LM1013-0C	側面板	1	ZSB09041	螺絲	2	
LM3000-0A	皮帶蓋	1	ZSB09047	螺絲	4	
LM3001-0A	皮帶蓋	1	ZSB09047	螺絲	4	
LM4083-0C	底座蓋板	1	ZSB09079	螺絲	1	
LM6030-0C	釜蓋	1	ZSB09079	螺絲	1	
LM6050-0A	針板	1	ZSB11017	螺絲	4	
LM6052-0A	釜擋	1	ZSB12060	螺絲	1	
LM6053-1C	針板支持板	1	ZSB12061	螺絲	3	
LM6053-2C	針板支持板	1	ZSB12061	螺絲	3	
PA1052-0A	線掛	1	ZSC11001	螺絲	2	
PC4174-0A	油塞	1	ZSC11020	螺絲	2	
S1055-0A	線掛	1	ZSJ24005	螺絲	2	
SB1020-0A	壓線調整組	1	ZSJ32003	螺絲	4	
SB1026-0A	調整螺絲棒	1	ZSL09002	螺帽	1	
SB1027-0A	吊線彈簧	1	ZSN16006	螺帽	3	
SB1028-0A	鬆線銷	1	ZSQ09008	螺絲	2	
SB1029-0A	彈簧座	1	ZSQ09008	螺絲	2	
SB1050-0A	車頭線柱	1	ZSQ09008	螺絲	2	
SB1062-0A	天秤蓋	1	XA300300	油線	1	
SB1322-0A	油槽蓋	1	XB132001	油棉	1	
SB1360-0A	上蓋	1	XB360001	油棉	1	
WA050001	墊圈	2	YA060270	平行銷	2	

B. 上軸、下軸關係 MAIN SHAFT & UPRIGHT SHAFT COMPONENTS



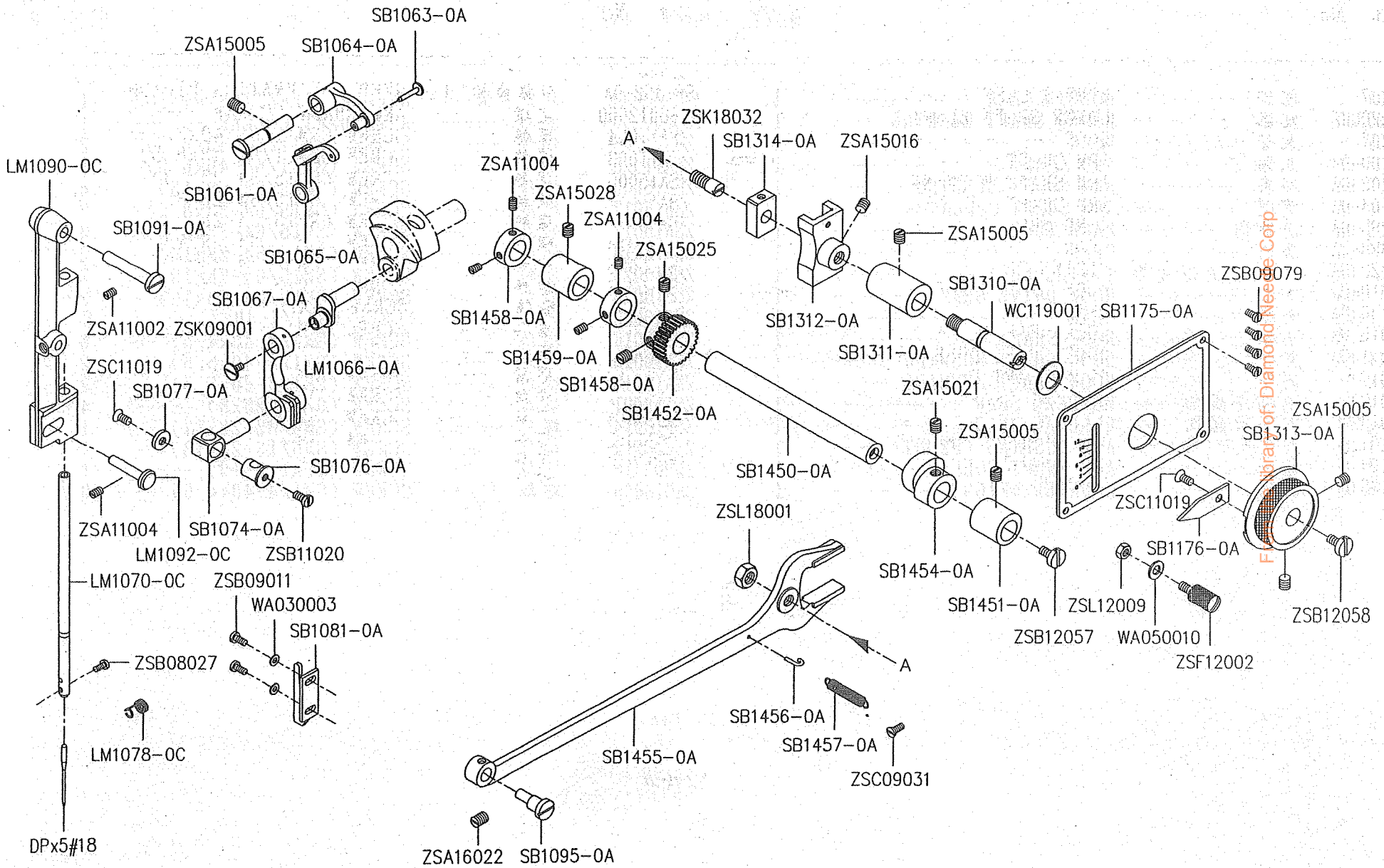
From the library of: Diamond Needle Corp

B、 上軸、下軸關係 MAIN SHAFT & UPRIGHT SHAFT COMPONENTS

零件號碼 Part No	零件名稱	Name of Part	件數 Q, TY	零件號碼 Part No	零件名稱	Name of Part	件數 Q, TY
BC-457	梭殼	BOBBIN CASE	1	SB1453-0A	針振齒輪(小)	NEEDLE VIBRATION PINION	1
BNTA2030Z	培林	LOWER SHAFT BEARING	1	TC08012000	定環	ARM SHAFT COLLAR	1
BO-107	大釜	HOOK	1	ZSA11004	螺絲	SCREW (SM11/64-40x3.5)-	2
LM1100-0A	上軸	ARM SHAFT	1	ZSA11023	螺絲	SCREW (SM11/64-40x6.5)-	1
LM1103-0A	軸套	ARM SHAFT BUSHING	1	ZSA15005	螺絲	SCREW (SM15/64-28x13)-	4
LM1104-0A	定環	ARM SHAFT COLLAR	1	ZSA15017	螺絲	SCREW (SM15/64-28x8.5)-	3
LM1105-0A	皮帶輪	HAND WHEEL	1	ZSA15017	螺絲	SCREW (SM15/64-28x8.5)-	3
LM1320-0A	齒輪	GEAR	1	ZSA15018	螺絲	SCREW (SM15/64-28x19)-	2
LM1322-0A	PU鋼絲齒形皮帶	TINING BELT	1	ZSA15028	螺絲	SCREW (SM15/64-28x19)-	2
LM4010-0A	下軸	HOOK DRIVE SHAFT	1	ZSA15028	螺絲	SCREW (SM15/64-28x19)-	2
LM4130-0A	齒輪	GEAR	1	ZSA16009	螺絲	SCREW (SM1/4-40x7)-	6
LM6010-0A	釜軸	HOOK SHAFT	1	ZSA16010	螺絲	SCREW (SM1/4-40x4.5)-	6
LM6011-0A	套管	HOOK SHAFT BUSHING	1	ZSA16013	螺絲	SCREW (SM1/4-40x5.5)-	2
LM6012-0A	套管	HOOK SHAFT BUSHING	1	ZSA16013	螺絲	SCREW (SM1/4-40x5.5)-	2
LM6013-0A	下軸傘齒輪	HELLCAL GEAR	1	ZSA18001	螺絲	SCREW (9/32-28x8)-	4
LM6014-0A	下軸傘齒輪	HELLCAL GEAR	1	ZSB18014	螺絲	SCREW (SM9/32-28x17)-	1
SB1101-0A	大心套管(前)	ARM BUSHING (FRONT)	1	ZSB20012	螺絲	SCREW (SM5/16-24x13)-	1
SB1104-0A	定環	ARM SHAFT COLLAR	1	ZMH06010	螺絲	SCREW (M6x1.0-10)-	1
SB1106-0A	凸輪	COUNTER WEIGHT	1	ZSH16005	螺絲	SCREW (SM1/4-40x4.5)-	6

From the

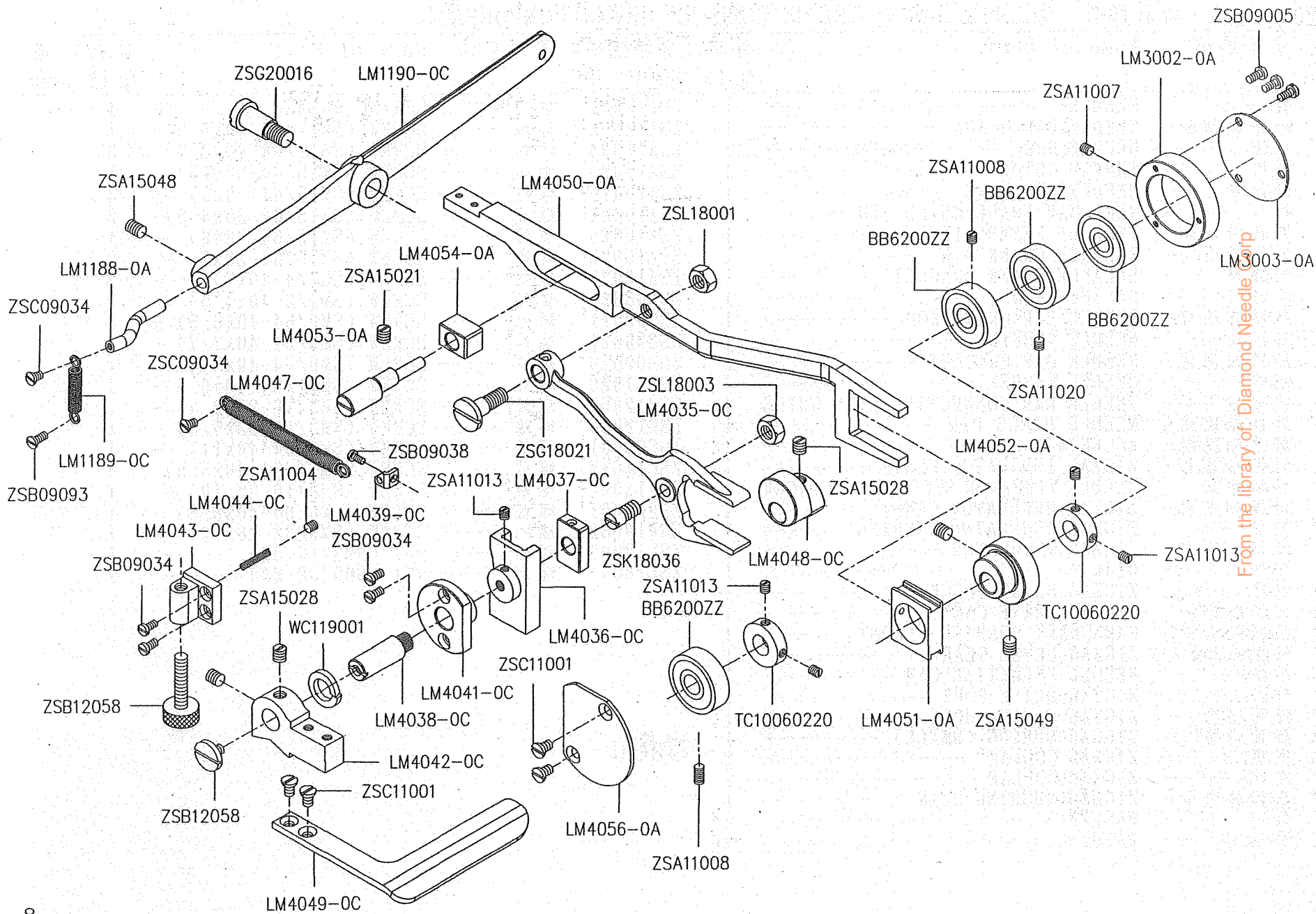
C. 針棒、天秤關係 NEEDLE BAR & TREAD TAKE-UP LEVER COMPONENTS



C、 針棒、天秤關係 NEEDLE BAR & TREAD TAKE-UP LEVER COMPONENTS

零件號碼 Part No	零件名稱 Name of Part	件數 Q, TY	零件號碼 Part No	零件名稱 Name of Part	件數 Q, TY Rem
DPx5#18	針	1	WC119001	盤形墊圈 - SPRING WASHER	1
LM1066-0A	針棒連結軸	1	ZSA11002	螺絲 - SCREW (SM11/64-40x6.5)	1
LM1070-0C	針棒	1	ZSA11004	螺絲 - SCREW (SM11/64-40x3.5)	3
LM1078-0C	線掛	1	ZSA15005	螺絲 - SCREW (SM15/64-28x13)	2
LM1090-0C	針柱座	1	ZSA15016	螺絲 - SCREW (SM15/64-28x7)	3
LM1092-0C	銷	1	ZSA15021	螺絲 - SCREW (SM15/64-28x4.5)	2
SB1061-0A	天秤固定銷	1	ZSA15025	螺絲 - SCREW (SM15/64-28x6)	1
SB1063-0A	天秤鉚釘	1	ZSA15028	螺絲 - SCREW (SM15/64-28x7)	2
SB1064-0A	天秤架	1	ZSA16022	螺絲 - SCREW (SM1/4-40x7)	2
SB1065-0A	天秤	1	ZSB08027	螺絲 - SCREW (SM1/8-40x4.5)	2
SB1067-0A	針棒連結桿	1	ZSB09011	螺絲 - SCREW (SM9/64-40x6.5)	8
SB1074-0A	針棒鉗	1	ZSB09021	螺絲 - SCREW (SM9/64-40x7.7)	1
SB1076-0A	針棒鉗固定	1	ZSB09079	螺絲 - SCREW (SM9/64-40x7)	1
SB1077-0A	墊圈	1	ZSB11020	螺絲 - SCREW (SM11/64-40x6.5)	1
SB1081-0A	固定板	1	ZSB12057	螺絲 - SCREW (SM3/16-28x9.5)	1
SB1091-0A	針柱座固定	1	ZSB12058	螺絲 - SCREW (SM3/16-32x6.5)	1
SB1095-0A	針落調整螺	1	ZSC09031	螺絲 - SCREW (SM9/64-40x11)	1
SB1175-0A	針振目盛板	1	ZSC11019	螺絲 - SCREW (SM11/64-40x5.5)	4
SB1176-0A	針振指針	1	ZSF12002	螺絲 - SCREW (SM3/16-32x10)	1
SB1310-0A	針振調整軸	1	ZSK09001	螺絲 - SCREW (SM9/64-40x8.5)	1
SB1311-0A	套管	1	ZSK18032	螺絲 - SCREW (SM9/32-28x12)	1
SB1312-0A	針振調節器	1	ZSL12009	螺帽 - NUT (SM3/16-32)	1
SB1313-0A	旋鈕	1	ZSL18001	螺帽 - NUT (SM9/32-28)	1
SB1314-0A	滑塊	1			
SB1450-0A	針振驅動組	1			
SB1451-0A	凸輪軸套管	1			
SB1452-0A	針振齒輪(大)	1			
SB1454-0A	凸輪	1			
SB1455-0A	針振三叉	1			
SB1456-0A	彈簧掛勾	1			
SB1457-0A	拉伸彈簧	1			
SB1458-0A	定環	2			
SB1458-0A	定環	2			
SB1459-0A	凸輪軸套管	1			
WA030003	墊圈	2			
WA050010	平盤圈	2			

D. 送料關係 FEED MECHANISM COMPONENTS

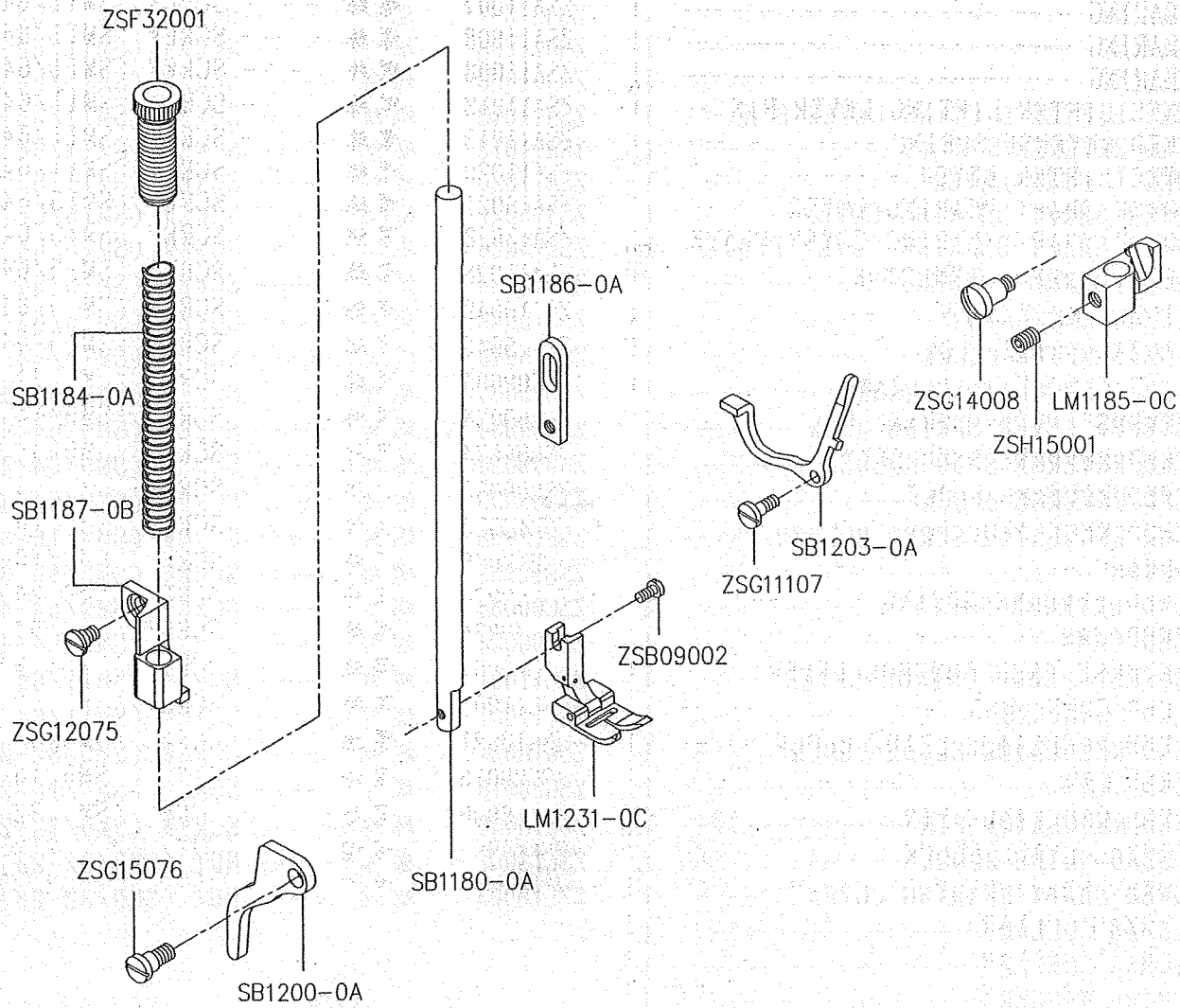


From the library of: Diamond Needle Strip

D、送料關係 FEED MECHANISM COMPONENTS

零件號碼 Part No	零件名稱	Name of Part	件數 Q, TY	零件號碼 Part No	零件名稱	Name of Part	件數 Q, TY	備 Rem
BB6200ZZ	軸承	BEARING	1	ZSA11004	螺絲	SCREW (SM11/64-40x3.5)	2	
BB6200ZZ	軸承	BEARING	1	ZSA11007	螺絲	SCREW (SM11/64-40x8)	2	
BB6200ZZ	軸承	BEARING	1	ZSA11008	螺絲	SCREW (SM11/64-40x5.5)	2	
BB6200ZZ	軸承	BEARING	1	ZSA11008	螺絲	SCREW (SM11/64-40x5.5)	2	
LM1188-0A	連接板銷	KNEE LIFTER LIFTING LEVER PIN	1	ZSA11013	螺絲	SCREW (SM11/64-40x6)	2	
LM1189-0C	拉伸彈簧	FEED REVERSE SPRING	1	ZSA11013	螺絲	SCREW (SM11/64-40x6)	2	
LM1190-0C	押棒提升桿	KNEE LIFTER LEVER	1	ZSA11020	螺絲	SCREW (SM11/64-40x11)	1	
LM3002-0A	軸承固定座	LOWER SHAFT BEARING COVER	1	ZSA15021	螺絲	SCREW (SM15/64-28x4.5)	2	
LM3003-0A	軸承固定座蓋	LOWER SHAFT BEARING COVER PLATE	1	ZSA15028	螺絲	SCREW (SM15/64-28x7)	2	
LM4035-0C	倒縫連桿	FEED FORKED CONNECTOR	1	ZSA15028	螺絲	SCREW (SM15/64-28x7)	2	
LM4036-0C	針振調節器	ZIGZAG REGULATOR	1	ZSA15048	螺絲	SCREW (SM15/64-28x5)	1	
LM4037-0C	滑塊	ZIGZAG SLIDE BLOCK	1	ZSA15049	螺絲	SCREW (SM15/64-28x12)	2	
LM4038-0C	針振調整軸	ZIGZAG REGULATOR CRANK	1	ZSB09005	螺絲	SCREW (SM9/64-40x5)	1	
LM4039-0C	彈簧固定板	REVERSE LEVER SPRING HOOK	1	ZSB09034	螺絲	SCREW (SM9/64-40x10)	2	
LM4041-0C	倒縫支持座	FEED REVERSE STUD HOLDER	1	ZSB09034	螺絲	SCREW (SM9/64-40x10)	2	
LM4042-0C	倒縫叉口	FEED REVERSE BLOCK	1	ZSB09093	螺絲	SCREW (SM9/64-40x10)	2	
LM4043-0C	倒縫螺絲座	FEED REGULATOR SCREW HOLDER	1	ZSB12058	螺絲	SCREW (SM3/16-32x6.5)	1	
LM4044-0C	壓縮彈簧	SPRING	1	ZSB12058	螺絲	SCREW (SM3/16-32x6.5)	1	
LM4047-0C	拉伸彈簧	FEED REVERSE SPRING	1	ZSC09034	螺絲	SCREW (SM9/64-40x11)	1	
LM4048-0C	偏心輪	FEED CAM	1	ZSC09034	螺絲	SCREW (SM9/64-40x11)	1	
LM4049-0C	倒縫槓桿	REVERSE FEED CONTROL LEVER	1	ZSC11001	螺絲	SCREW (SM11/64-40x9)	2	
LM4050-0A	送料台	FEED CRANK ROD	1	ZSC11001	螺絲	SCREW (SM11/64-40x9)	2	
LM4051-0A	偏心軸套	FEED REGULATOR SLIDE BLOCK	1	ZSG18021	螺絲	SCREW (SM9/32-28x13.5)	1	
LM4052-0A	偏心輪	FEED CAM	1	ZSG20016	螺絲	SCREW (SM5/16-24x11)	1	
LM4053-0A	調整軸	FEED REGULATOR PIN	1	ZSK18036	螺絲	SCREW (SM9/32-28x10)	1	
LM4054-0A	滑塊	ZIGZAG SLIDE BLOCK	1	ZSL18001	螺帽	NUT (SM9/32-28)	1	
LM4056-0A	培林蓋	LOWER SHAFT BEARING COVER	1	ZSL18003	螺帽	NUT (SM9/32-28)	2	
TC10060220	定環	ZIGZAG COLLAR	1					
TC10060220	定環	ZIGZAG COLLAR	1					
WC119001	盤型墊圈	SPRING WASHER	1					

E. 押脚關係 PRESSER BAR & KNEE LIFTER COMPONENTS



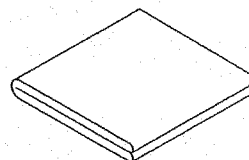
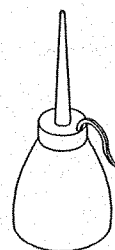
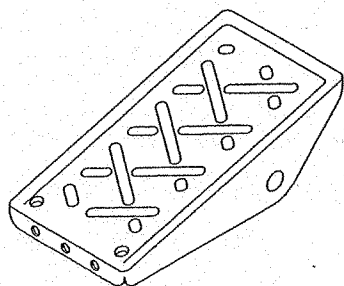
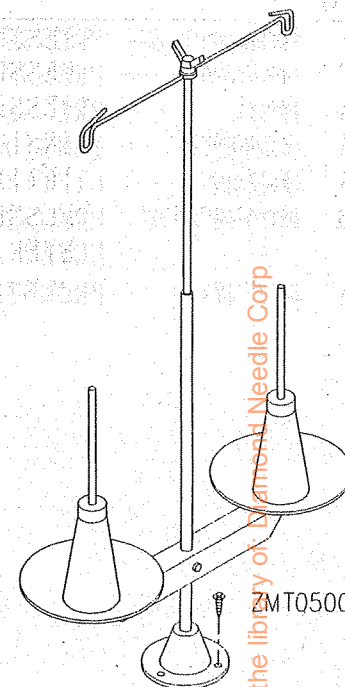
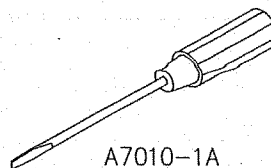
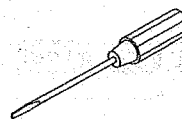
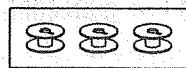
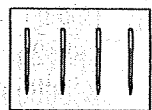
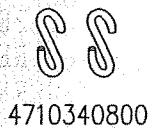
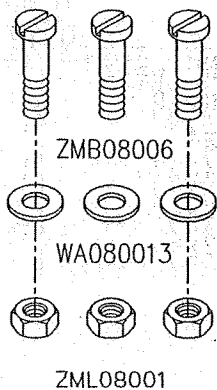
From the library of: Diamond Needle Corp

E、 押腳關係 PRESSER BAR & KNEE LIFTER COMPONENTS

零件號碼 Part No	零件名稱 Name of Part	件數 Q, TY	零件號碼 Part No	零件名稱 Name of Part	件數 Q, TY	備 Rem
LM1185-0C	押棒固定座 - PRESSER BAR FIXED BASE -----	1	SB1203-0A	鬆線架 --- TENSION RELEASING LEVER	1	
LM1231-0C	押元組 ---- PRESSER FOOT -----	1	ZSB09002	螺絲 ----- SCREW (SM9/64-40x10) --	2	
SB1180-0A	押棒 ----- PRESSER BAR -----	1	ZSF32001	螺絲 ----- SCREW (SM1/2-28x43) ---	1	
SB1184-0A	壓縮彈簧 -- TENSION SPRING -----	1	ZSG11107	螺絲 ----- SCREW (SM11/64-40x7) --	1	
SB1186-0A	連接板 ---- LIFTING LEVER LINK -----	1	ZSG12075	螺絲 ----- SCREW (SM3/16-32x5) ---	1	
SB1187-0B	押棒固定座 - PRESSER BAR LIFTING AND RELEASING LEVER BRACKET	1	ZSG14008	螺絲 ----- SCREW (SM7/32-32x5) ---	1	
SB1200-0A	提升桿 ---- PROMOTE SHAFT -----	1				

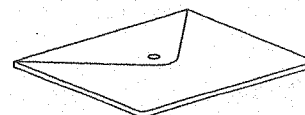
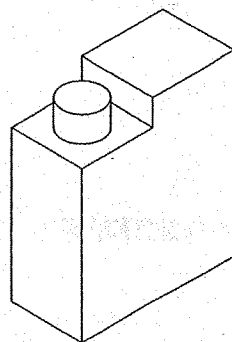
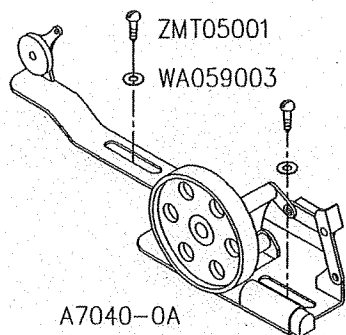
From the library of: Diamond Needle Corp

F. 附件 ACCESSORIES



J7050-0A

From the library of Diamond Needle Corp



F、 附件 ACCESSORIES

零件號碼 Part No	零件名稱	Name of Part	件數 Q, TY	零件號碼 Part No	零件名稱	Name of Part	件數 Q, TY	備註 Remarks
4710340800	S字金具	S-PLUG	1	DPx5#18	針	NEEDLE	1	
4710341400	鎖	CHAIN	1	HB7006-0A	梭仔	BOBBIN	1	
A7000-0A	工具袋	ACCESSORY BAG	1	J7050-0A	線架組	THREAD STAND	1	
A7010-0A	螺絲起子(小)	SCREW DRIVER (SMALL)	1	WA059003	平墊圈	WASHER	2	
A7010-1A	螺絲起子(中)	SCREW DRIVER (MIDDLE)	1	WA080013	平墊圈	WASHER	4	
A7012-1A	油壺(中)	OILER (MIDDLE)	1	ZMB08006	螺絲	SCREW (M8x1.25-27)	3	
A7012-2A	油壺(大)	OILER (MIDDLE)	1	ZML08001	螺帽	NUT (M8x1.25)	1	
A7040-0A	捲線器組	BOBBIN WINDER ASSY.	1	ZMT05001	螺絲	SCREW	4	
B7070-1A	腳踏板	PEDAL ASSEMBLY	1	ZMT05001	螺絲	SCREW	4	
C7001-0A	車頭蓋	VINYL COVER	1					

From the library of Diamond Needle Corp

G、 零件號碼與頁數對照 NUMERICAL PARTS-LIST

零件號碼 PARTS NO.	頁數 PAGE	零件號碼 PARTS NO.	頁數 PAGE	零件號碼 PARTS NO.	頁數 PAGE	零件號碼 PARTS NO.	頁數 PAGE	零件號碼 PARTS NO.	頁數 PAGE
4710340800	13	LM1013-0C	3	LM4042-0C	9	SB1026-0A	3	SB1310-0A	7
4710341400	13	LM1066-0A	7	LM4043-0C	9	SB1027-0A	3	SB1311-0A	7
A1021-0A	3	LM1070-0C	7	LM4044-0C	9	SB1028-0A	3	SB1312-0A	7
A1025-0A	3	LM1078-0C	7	LM4047-0C	9	SB1029-0A	3	SB1313-0A	7
A1034-0A	3	LM1090-0C	7	LM4048-0C	9	SB1050-0A	3	SB1314-0A	7
A1051-0A	3	LM1092-0C	7	LM4049-0C	9	SB1061-0A	7	SB1322-0A	3
A7000-0A	13	LM1100-0A	5	LM4050-0A	9	SB1062-0A	3	SB1360-0A	3
A7010-0A	13	LM1103-0A	5	LM4051-0A	9	SB1063-0A	7	SB1450-0A	7
A7010-1A	13	LM1104-0A	5	LM4052-0A	9	SB1064-0A	7	SB1451-0A	7
A7012-1A	13	LM1105-0A	5	LM4053-0A	9	SB1065-0A	7	SB1452-0A	7
A7012-2A	13	LM1185-0C	11	LM4054-0A	9	SB1067-0A	7	SB1453-0A	5
A7040-0A	13	LM1188-0A	9	LM4056-0A	9	SB1074-0A	7	SB1454-0A	7
B7070-1A	13	LM1189-0C	9	LM4083-0C	3	SB1076-0A	7	SB1455-0A	7
BB6200ZZ	9	LM1190-0C	9	LM4130-0A	5	SB1077-0A	7	SB1456-0A	7
BB6200ZZ	9	LM1231-0C	11	LM6010-0A	5	SB1081-0A	7	SB1457-0A	7
BB6200ZZ	9	LM1320-0A	5	LM6011-0A	5	SB1091-0A	7	SB1458-0A	7
BB6200ZZ	9	LM1322-0A	5	LM6012-0A	5	SB1095-0A	7	SB1458-0A	7
BC-457	5	LM3000-0A	3	LM6013-0A	5	SB1101-0A	5	SB1459-0A	7
BNTA2030Z	5	LM3001-0A	3	LM6014-0A	5	SB1104-0A	5	TC08012000	5
BO-107	5	LM3002-0A	9	LM6030-0C	3	SB1106-0A	5	TC10060220	9
C7001-0A	13	LM3003-0A	9	LM6050-0A	3	SB1175-0A	7	TC10060220	9
DPx5#18	7	LM4010-0A	5	LM6052-0A	3	SB1176-0A	7	WA030003	7
DPx5#18	13	LM4035-0C	9	LM6053-1C	3	SB1180-0A	11	WA050001	3
E1052-0A	3	LM4036-0C	9	LM6053-2C	3	SB1184-0A	11	WA050010	7
HB7006-0A	13	LM4037-0C	9	PA1052-0A	3	SB1186-0A	11	WA059003	13
J7050-0A	13	LM4038-0C	9	PC4174-0A	3	SB1187-0B	11	WA080013	13
LM1010-0C	3	LM4039-0C	9	S1055-0A	3	SB1200-0A	11	WC119001	7
LM1012-0C	3	LM4041-0C	9	SB1020-0A	3	SB1203-0A	11	WC119001	9

From the library of: Diamond Needle Corp

G、

零件號碼與頁數對照 NUMERICAL PARTS-LIST

零件號碼 PARTS NO.	頁數 PAGE	零件號碼 PARTS NO.	頁數 PAGE	零件號碼 PARTS NO.	頁數 PAGE	零件號碼 PARTS NO.	頁數 PAGE	零件號碼 PARTS NO.	頁數 PAGE
XA300300	3	ZSA15005	7	ZSB09011	7	ZSC11001	9	ZSQ09008	3
XB132001	3	ZSA15005	7	ZSB09034	3	ZSC11019	7		
XB360001	3	ZSA15006	3	ZSB09034	9	ZSC11019	7		
YA060270	3	ZSA15016	7	ZSB09034	9	ZSC11020	3		
YD060050	3	ZSA15017	5	ZSB09038	9	ZSF12002	7		
ZMB05026	3	ZSA15017	5	ZSB09041	3	ZSF32001	11		
ZMB08006	13	ZSA15018	5	ZSB09047	3	ZSG11107	11		
ZML08001	13	ZSA15021	7	ZSB09047	3	ZSG12075	11		
ZMT05001	13	ZSA15021	9	ZSB09079	3	ZSG14008	11		
ZMT05001	13	ZSA15025	7	ZSB09079	3	ZSG15076	11		
ZSA11002	7	ZSA15028	5	ZSB09079	7	ZSG18021	9		
ZSA11004	5	ZSA15028	5	ZSB09093	9	ZSG20016	9		
ZSA11004	7	ZSA15028	7	ZSB11017	3	ZSH06010	5		
ZSA11004	7	ZSA15028	9	ZSB11020	7	ZSH15001	11		
ZSA11004	7	ZSA15028	9	ZSB12057	7	ZSH16005	5		
ZSA11004	9	ZSA15048	9	ZSB12058	7	ZSJ24005	3		
ZSA11005	3	ZSA15049	9	ZSB12058	9	ZSJ32003	3		
ZSA11007	9	ZSA16009	5	ZSB12058	9	ZSK09001	7		
ZSA11008	9	ZSA16010	5	ZSB12060	3	ZSK18032	7		
ZSA11008	9	ZSA16013	5	ZSB12061	3	ZSK18036	9		
ZSA11013	9	ZSA16013	5	ZSB12061	3	ZSL09002	3		
ZSA11013	9	ZSA16022	7	ZSB18014	5	ZSL12009	7		
ZSA11013	9	ZSA18001	5	ZSB20012	5	ZSL18001	7		
ZSA11020	9	ZSB08027	7	ZSC09031	7	ZSL18001	9		
ZSA11023	5	ZSB09002	3	ZSC09034	9	ZSL18003	9		
ZSA15005	5	ZSB09002	11	ZSC09034	9	ZSN16006	3		
ZSA15005	7	ZSB09005	3	ZSC11001	3	ZSQ09008	3		
ZSA15005	7	ZSB09005	9	ZSC11001	9	ZSQ09008	3		

From the library of: Diamond Needle Corp

1. The first part of the document discusses the importance of maintaining accurate records of all transactions. This is essential for ensuring the integrity of the financial statements and for providing a clear audit trail. The records should be kept up-to-date and should be accessible to all relevant parties.

2. The second part of the document outlines the various methods used to collect and analyze data. This includes both qualitative and quantitative techniques, as well as the use of statistical software to process large datasets. The goal is to identify trends and patterns that can inform decision-making.

3. The third part of the document focuses on the results of the analysis. This section provides a detailed breakdown of the findings, including charts and graphs to illustrate key points. The results are discussed in the context of the overall objectives of the study.

From the library of: Diamond Needle Corp

CONSEW ^{Since 1898}®

CONSOLIDATED SEWING MACHINE CORP.

└ INDUSTRIAL SEWING & CUTTING EQUIPMENT

400 VETERANS BLVD, CARLSTADT, NJ 07072

212-741-7788